

PACKETX

PRINTING IN A SINGLE PASS

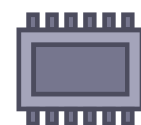


On-demand packaging printing from a single unit

Internally developed at SUGRAF
Second generation HP Page Wide printhead
Robust reinforced structure that reduces vibrations and ensures a better fit



MADE IN SPAIN



**SECOND GENERATION
HP HEAD**

HIGH VERSATILITY AT LOW COST



PACKET X can print on any porous surface: cardboard boxes, corrugated cardboard, paper bags, pizza boxes, hamburger boxes, envelopes, wooden boxes... and much more.



**COMPATIBLE WITH RIP
VARIABLE DATA**



WATERPROOF INKS

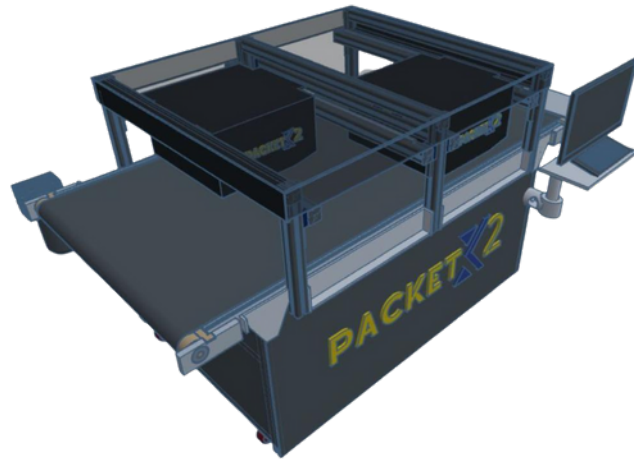
TECHNICAL DATA

SYSTEM AND PRINTHEAD	High speed injection molding. Second generation HP head
INK TYPE AND CAPACITY IN ML	Water-based pigment inks. 4 CMYK cartridges C-237 ml / M-233 ml / Y-225 ml / K-498 ml
RESOLUTION AND PRINT SPEED	1200x1200 DPI max 28 m/min
POWER SUPPLY	1 KW - 230 V AC
PRINT AREA	Width: 285 mm Length: min 3,5 cm - max 152 cm
MATERIAL DIMENSIONS	Thickness: max 15 cm Width: max 100 cm Length: max 160 cm
HEAD TRAVEL	Micro-adjustable in width. Work table up to 100 cm
SENSOR	Optical
STRIP LENGTH	180 cm
DIMENSIONS AND WEIGHT	210 cm x 160 cm x 100 cm (hauteur) - 120 kg
OPERATING SYSTEM	Windows 10

PACKET X RANGE



PACKET X mini

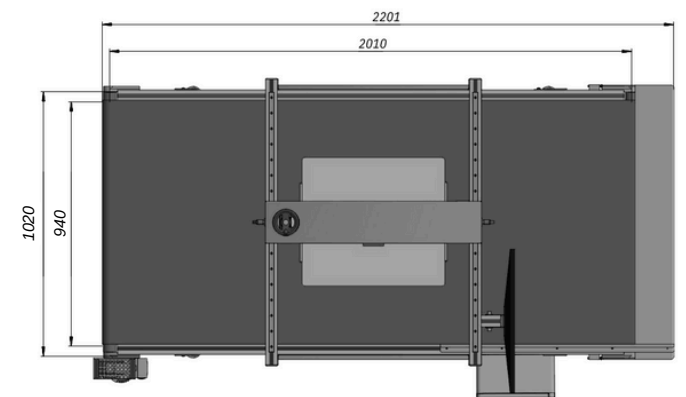
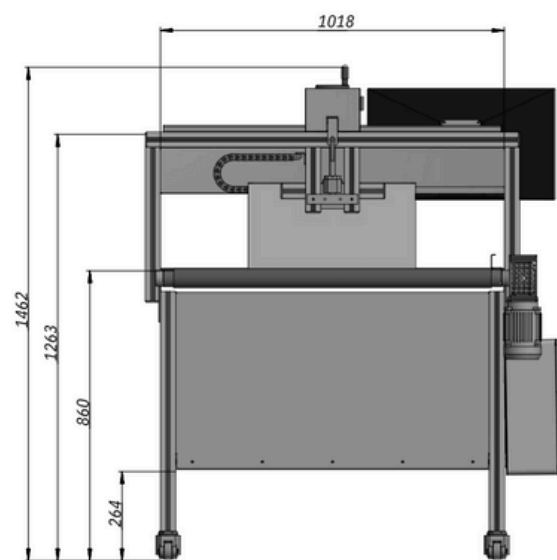
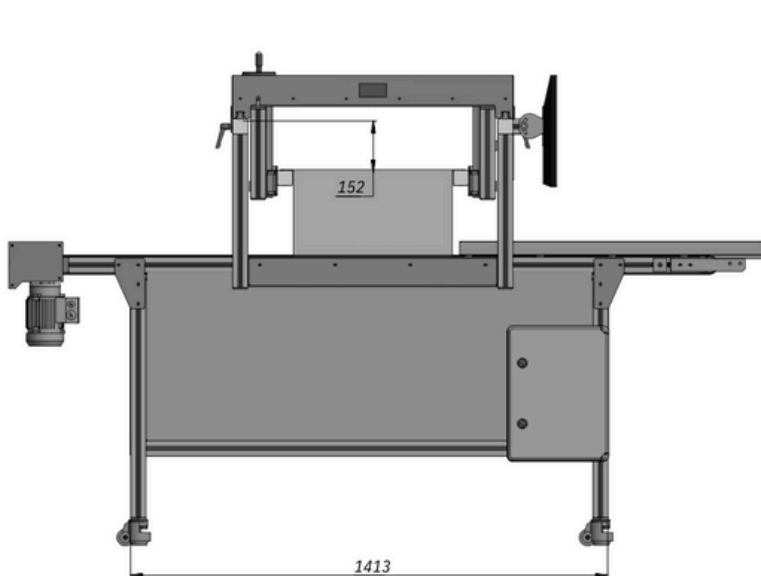


PACKET X2



MICRO PACKET X

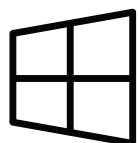
MEASUREMENTS



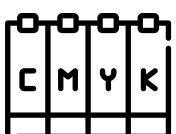
INCLUDES



Whole computer



RIP software



Full pack of CMYK ink



In-person and online technical assistance

OPTIONAL

- Empileur
- Alimentation en matériaux

Videos and more information






SUGRAF Tecnología y Producto

C. del Monasterio de las Descalzas Reales, naves 6-7, 50014 Saragosse

Pol. Ind. EMPRESARIUM - C/Sisallo, 20 Nave D-8, Saragosse

CYAN, Calle de Costa Rica & Calle de Puerto Rico, 26, 28016 Madrid

 +34 976 30 42 20

 info@sugraf.es

  SUGRAF Tecnología y Producto

 [sugraf_tech](https://www.instagram.com/sugraf_tech)